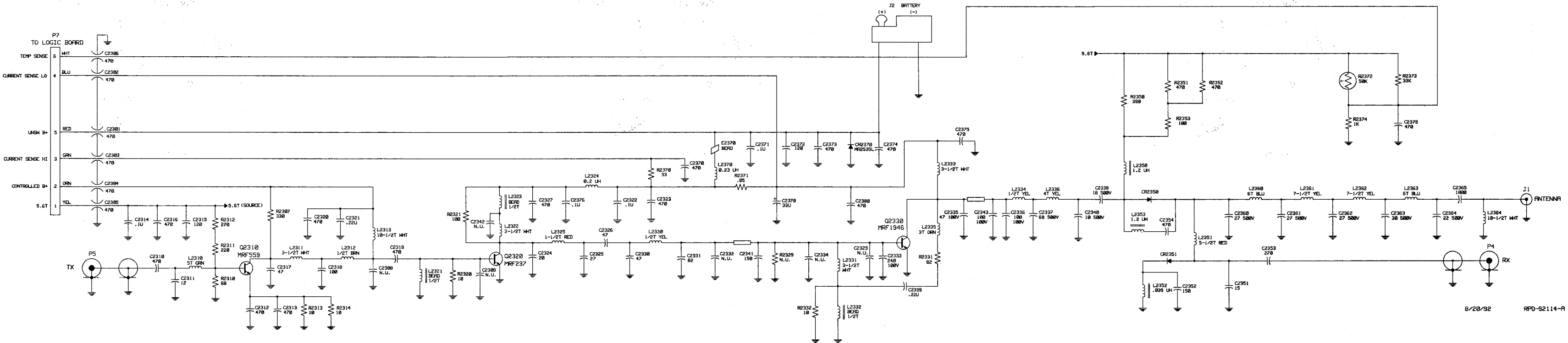
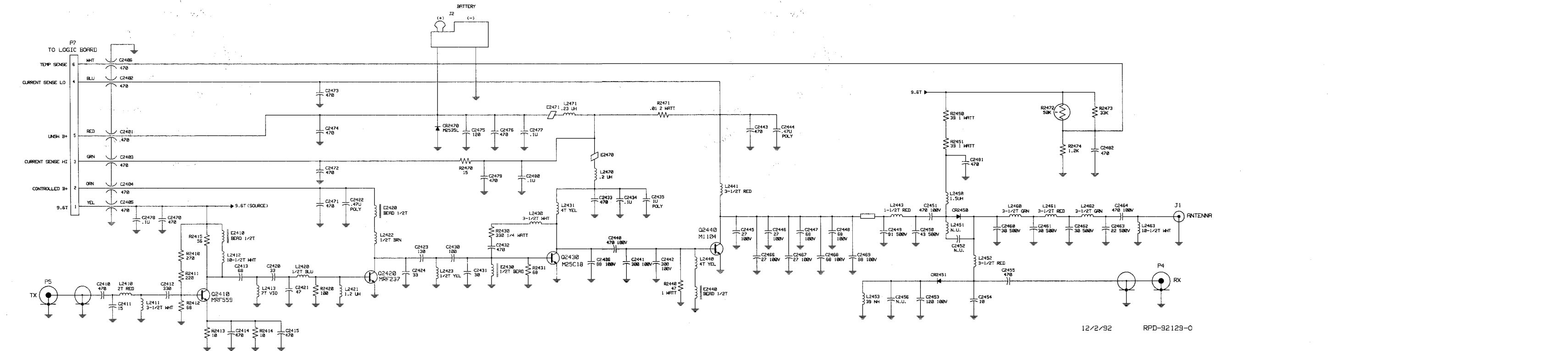


- UNLESS OTHERWISE INDICATED, RESISTOR VALUES ARE IN OHMS, CAPACITOR VALUES ARE IN PICOFARADS, INDUCTOR VALUES ARE IN MICROHENRIES.
- NON-POLARIZED CAPACITORS ARE CHIP-TYPE UNLESS OTHERWISE INDICATED.
- POLARIZED CAPACITORS ARE ALUMINUM ELECTROLYTIC UNLESS OTHERWISE INDICATED.
- DC VOLTAGES ARE MEASURED WITH A HIGH IMPEDANCE (10 MEGOHM) DC VOLTMETER.
- AC RF VOLTAGES ARE MEASURED WITH A HIGH IMPEDANCE RF MILLIVOLTMETER.
- ALL VOLTAGE MEASUREMENTS ARE IN THE RECEIVE MODE UNLESS INDICATED AS FOLLOWS:  
(R) RECEIVE MODE  
(T) TRANSMIT MODE
- MEASURED IN THE RECEIVE MODE WITH AN ON-CHANNEL UNMODULATED SIGNAL AT A LEVEL OF -20 DBM.
- MEASURED IN THE RECEIVE MODE WITH AN ON-CHANNEL SIGNAL AT A LEVEL OF -20 DBM, MODULATED WITH 1KHZ AT 30KZ DEVIATION. MEASURED WITH AN AC RMS VOLTMETER.
- COMPONENT VALUES MARKED (N) ARE USED IN 12.5 KHZ CHANNEL SPACING MODELS. VALUES MARKED (H) ARE USED IN 20/25/30 KHZ CHANNEL SPACING MODELS.



8/20/92 RPD-92114-A



12/2/92 RPD-92129-0

